



(A) 12.65m  
42ft



(B) 10.65m  
35ft



(C) 6.1m  
20ft



200kg  
440lbs



1.1m x 0.65m  
3ft 7in x 2ft 2in



(D) 1.95m  
6ft 5in



(F) 1.56m  
5ft 1in



(G) 3.2m  
10ft 6in



(J) 3.9m  
12ft 10in



10km/h  
6.2mph



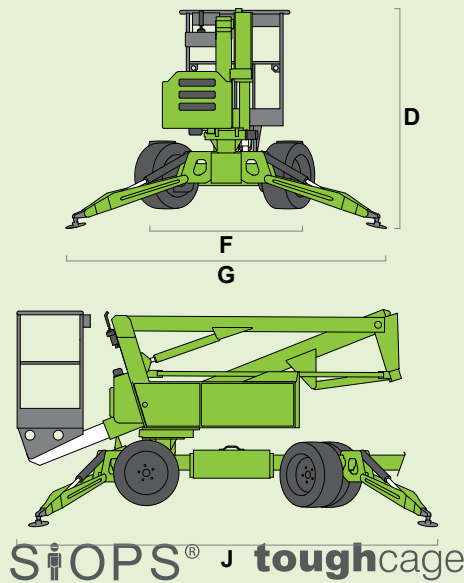
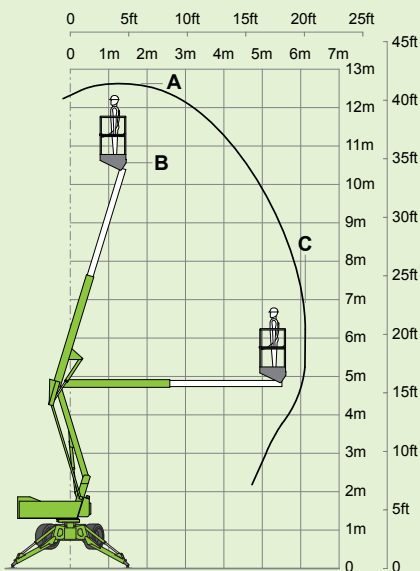
3.9m  
12ft 10in



45%  
24°



2260kg  
4980lbs



SiOPS® J toughcage

**niftylift.com.au**

NIFTYLIFT PTY  
11 Kennington Drive,  
Tomago,  
NSW 2322,  
Australia  
www.niftylift.com.au  
e-mail: jking@niftylift.com.au  
Tel.: +61 (0) 2 4964 9765  
Fax: +61 (0) 2 4964 9714

